

DIE CUT SHAPES

#21AA
1/2 x 1/4
13 x 6 mm

#66AA
1 1/4 x 5/8
32 x 16 mm

#16AA
1 1/2 x 1/2
38 x 13 mm

#41AA 1 3/4 x 5/16
44 x 8 mm

#3 A
1 5/16 x 11/16
33 x 17mm

#30A
7/8 x 7/8
22 x 22 mm

#2 A
1 1/2 x 13/16
38 x 20mm

#18A
1 3/8 x 1
35 x 25 mm

#17A
1 11/16 x 5/8
43 x 16 mm

#9A
1 13/16 x 1
46 x 25mm

#45A
2 1/4 x 5/8
57 x 16 mm
SQ. or RD. corners

#31A
1 9/16 x 1 1/4
40 x 32 mm

#47B
2 1/4 x 1
57 x 25 mm

#56B
2 1/16 x 1 3/8
52 x 35 mm

#48B
1 1/2 x 1 1/2
38 x 38 mm

#6B
1 13/16 x 1 3/8
46 x 35 mm

NEW!
#94B
4 x 5/8
102 x 16mm

#32B
3 x 1
76 x 25 mm

#70C
4 x 1
102 x 25 mm

#64C
2 3/4 x 1 1/2
70 x 38 mm

#34D
3 x 2
76 x 51 mm

#65B
2 1/16 x 1 1/8
52 x 28 mm

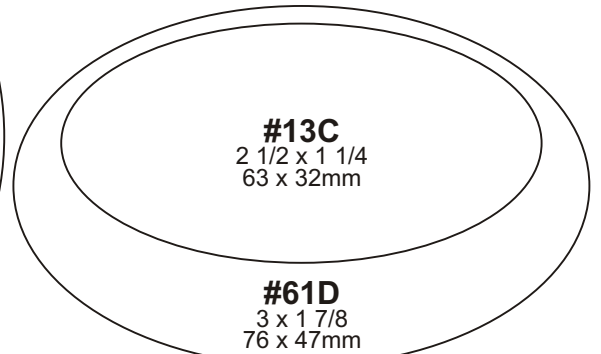
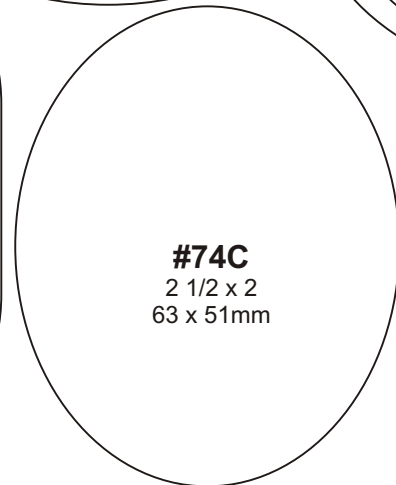
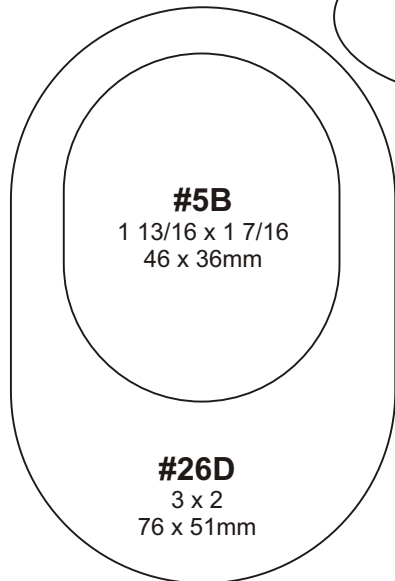
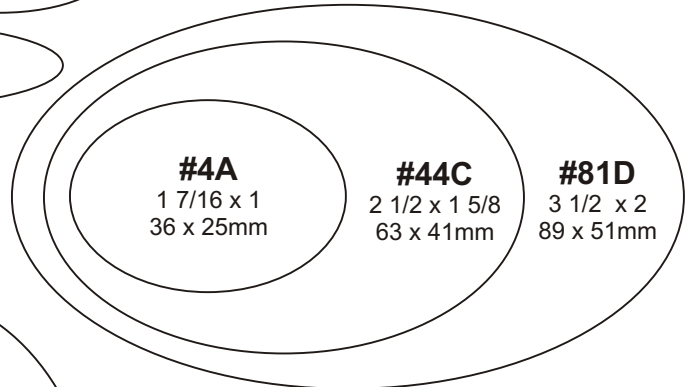
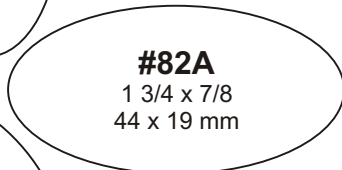
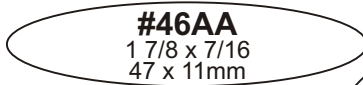
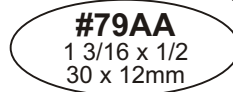
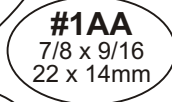
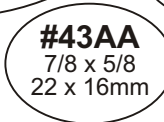
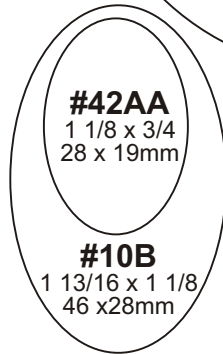
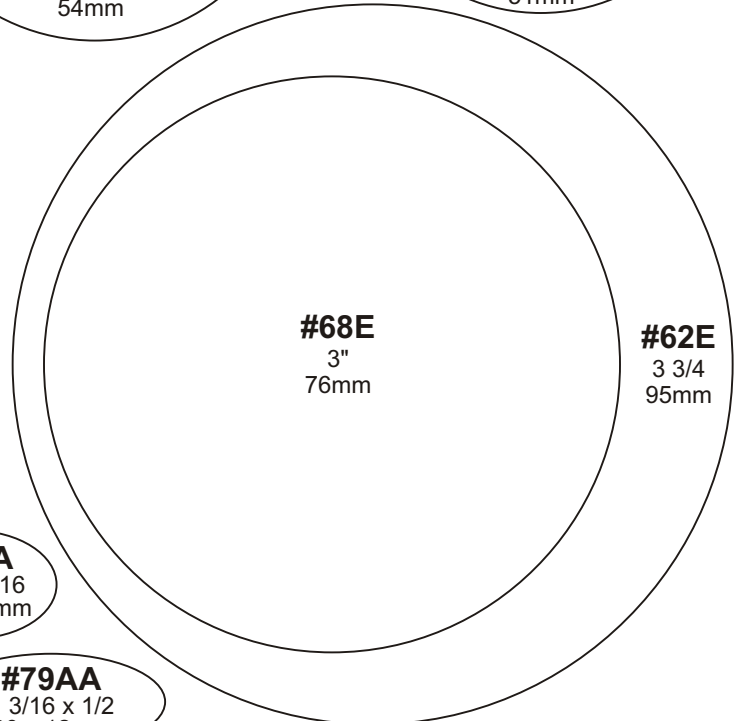
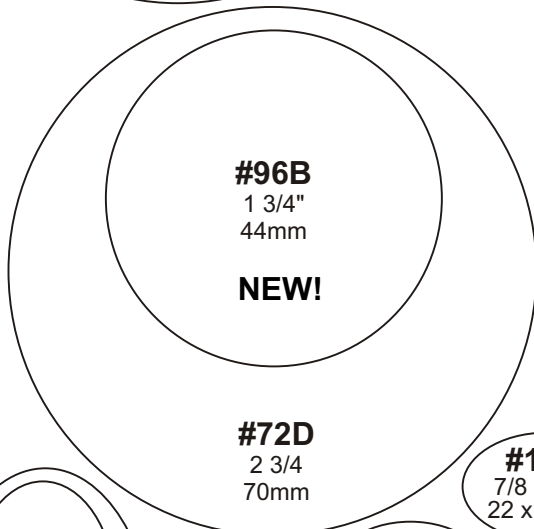
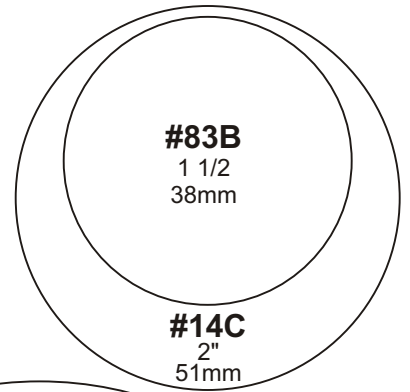
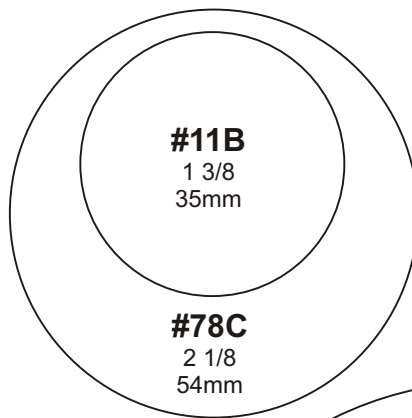
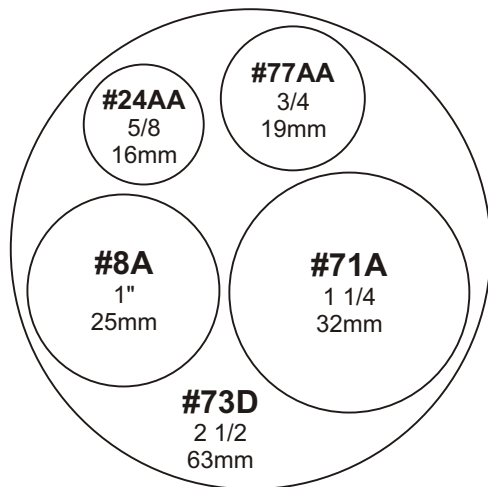
#33D
3 x 1 1/2
76 x 38 mm

76E
4 x 3 1/2
102 x 89 mm

NEW!
#95E
4 x 2
102 x 51mm

#49E
3 1/2 x 3 1/2
89 x 89 mm

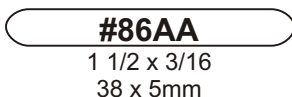
DIE CUT SHAPES



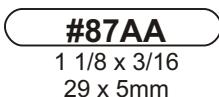
DIE CUT SHAPES



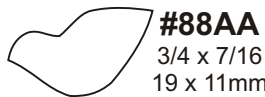
#93AA
1/2 x 7/16
12 x 11mm



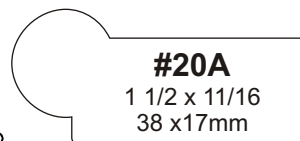
#86AA
1 1/2 x 3/16
38 x 5mm



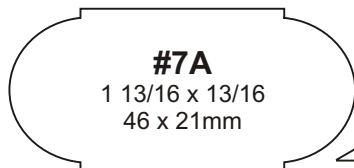
#87AA
1 1/8 x 3/16
29 x 5mm



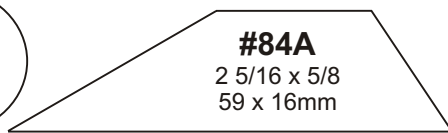
#88AA
3/4 x 7/16
19 x 11mm



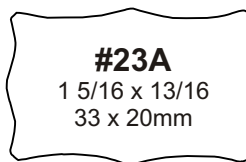
#20A
1 1/2 x 11/16
38 x 17mm



#7A
1 13/16 x 13/16
46 x 21mm



#84A
2 5/16 x 5/8
59 x 16mm



#23A
1 5/16 x 13/16
33 x 20mm



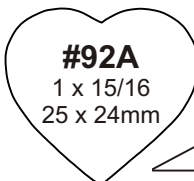
#54A
1 1/2 x 15/16
38 x 24mm



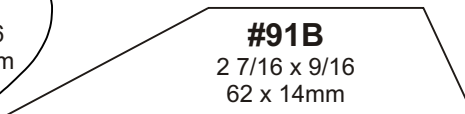
#90A
1 3/16 x 1 1/16
30 x 27mm



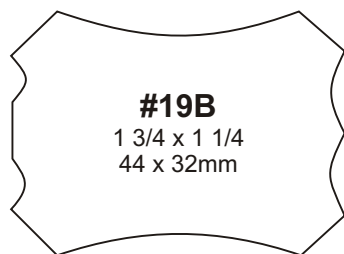
#28A
1 1/4 x 1 1/8
32 x 29mm



#92A
1 x 15/16
25 x 24mm



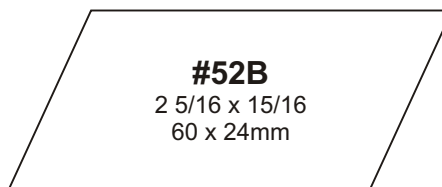
#91B
2 7/16 x 9/16
62 x 14mm



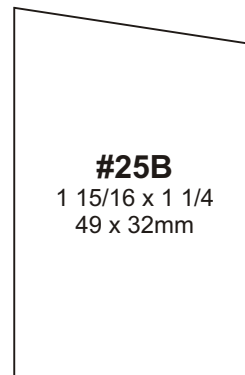
#19B
1 3/4 x 1 1/4
44 x 32mm



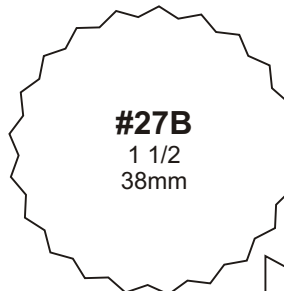
#63B
1 1/2 x 1 7/16
38 x 36mm



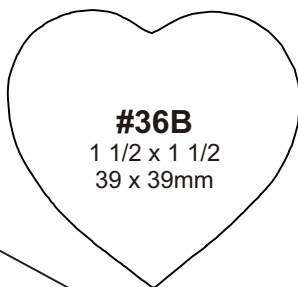
#52B
2 5/16 x 15/16
60 x 24mm



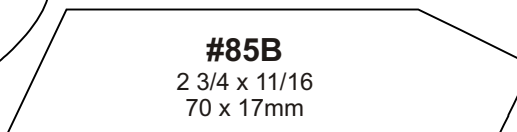
#25B
1 15/16 x 1 1/4
49 x 32mm



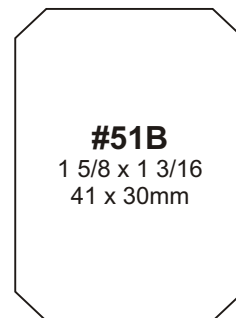
#27B
1 1/2
38mm



#36B
1 1/2 x 1 1/2
39 x 39mm



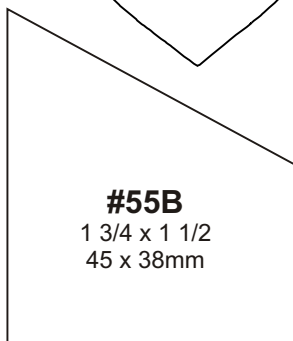
#85B
2 3/4 x 11/16
70 x 17mm



#51B
1 5/8 x 1 3/16
41 x 30mm



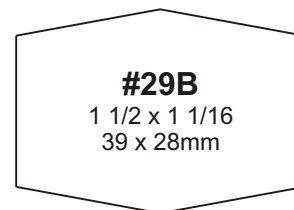
#53B
1 1/2 x 1 3/16
38 x 30mm



#55B
1 3/4 x 1 1/2
45 x 38mm



#57C
2 5/8 x 1 3/16
67 x 30mm



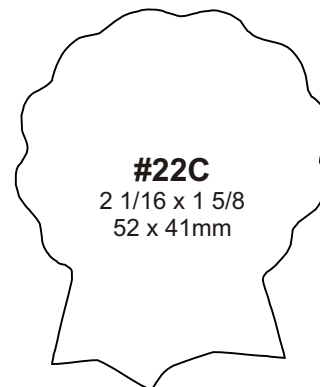
#29B
1 1/2 x 1 1/16
39 x 28mm



#69C
2"
51mm



#59C
2 1/2 x 1 1/4
64 x 32mm

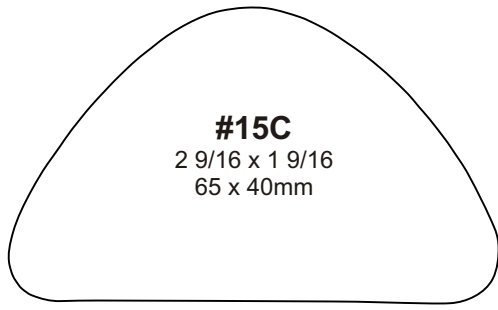


#22C
2 1/16 x 1 5/8
52 x 41mm

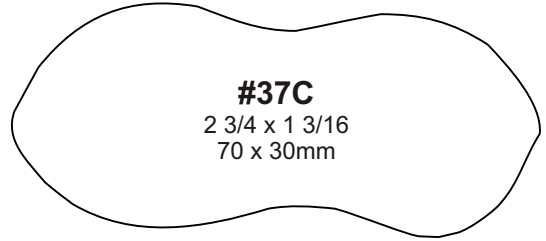


#35C
3 x 1 1/4
76 x 32mm

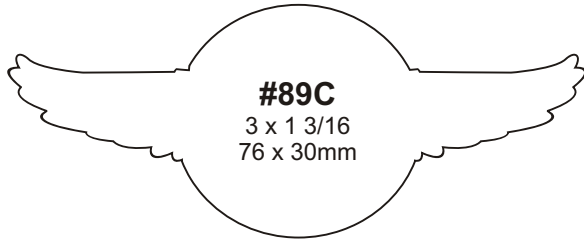
DIE CUT SHAPES



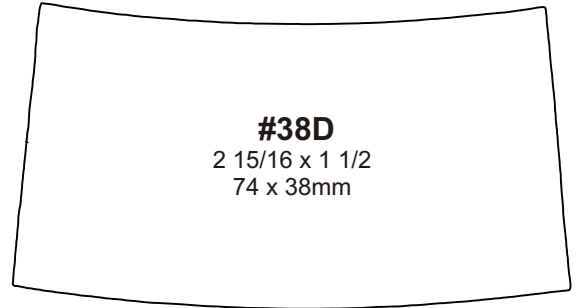
#15C
 $2 \frac{9}{16} \times 1 \frac{9}{16}$
 65 x 40mm



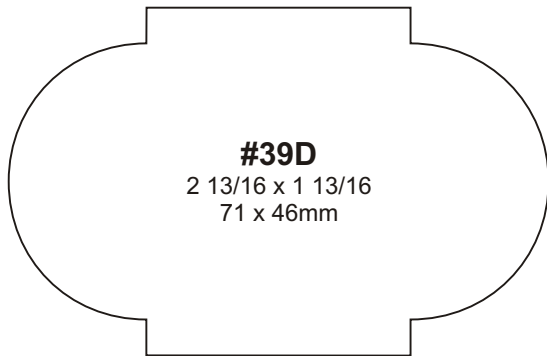
#37C
 $2 \frac{3}{4} \times 1 \frac{3}{16}$
 70 x 30mm



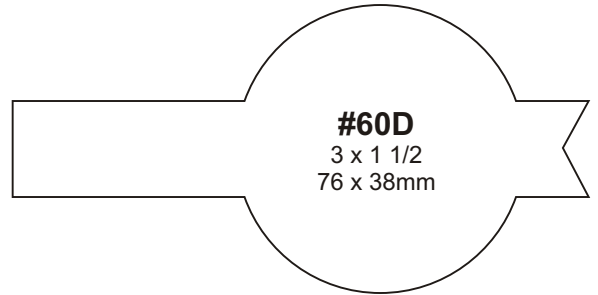
#89C
 $3 \times 1 \frac{3}{16}$
 76 x 30mm



#38D
 $2 \frac{15}{16} \times 1 \frac{1}{2}$
 74 x 38mm



#39D
 $2 \frac{13}{16} \times 1 \frac{13}{16}$
 71 x 46mm



#60D
 $3 \times 1 \frac{1}{2}$
 76 x 38mm

BUTT CUT SIZES

AA-size: up to 1 sq."

A-size : up to 2 sq."

B-size : up to 3 1/2 sq."

C-size : up to 4 1/4 sq."

D-size : up to 7 1/2 sq."

E-size : up to 20 1/4 sq."

typical
increments:

↑	max	
	4 1/2"	114 mm
	4"	102mm
	3 1/4"	83mm
	2 3/4"	70mm
	2 1/4"	57mm
	2"	51mm
	1 3/4"	44mm
	1 1/2"	38mm
	1.0"	25mm
↓	min.	

Variable from 1/2" to 4 1/2"
 (13 to 114 mm)